

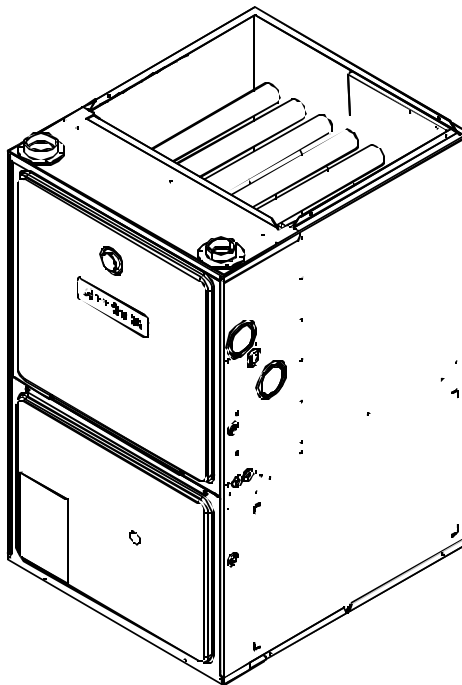


REPAIR PARTS

GMV9*XA Upflow/Horizontal/Two Stage/Variable Speed 90% AFUE Gas Furnace

Models and manufacturing numbers in this manual

GMV90704CXA	P1257603F
GMV90904CXA	P1257604F
GMV90905DXA	P1257605F
GMV91155DXA	P1257606F



Important Information

Goodman Manufacturing Company, L.P. is not responsible for personal injury or property damage resulting from improper service. Review all service information before beginning repairs.

Warranty service must be performed by an authorized technician, using authorized factory parts. If service is required after the warranty expires, Goodman Manufacturing Company, L.P. also recommends contacting an authorized technician and using authorized factory parts.

For assistance within the U.S.A. contact:

Consumer Affairs Department
Goodman Manufacturing Company, L.P.
7401 Security Way
Houston, Texas 77040
877-254-4729-Telephone
713-863-2382-Facsimile

For assistance outside the U.S.A. contact:

International Division
Goodman Manufacturing Company, L.P.
7401 Security Way
Houston, Texas 77040
713-861-2500-Telephone
713-863-2382-Facsimile

Index

Functional Parts List	4 - 5
Illustration and Parts	6 - 15

Views shown are for parts illustrations only, not servicing procedures.

Text Codes:

AR - As Required

NA - Not Available

NS - Not Shown

00000000 - See Note

QTY - Quantity Example (QTY 3) (If Quantity not shown, Quantity = 1)

M - Model Example (M1) (If M Code not shown, then part is used on all Models)

Expanded Model Nomenclature:

Example	
M1 - Model#1	P _____
M2 - Model#2	P _____
M3 - Model#3	P _____

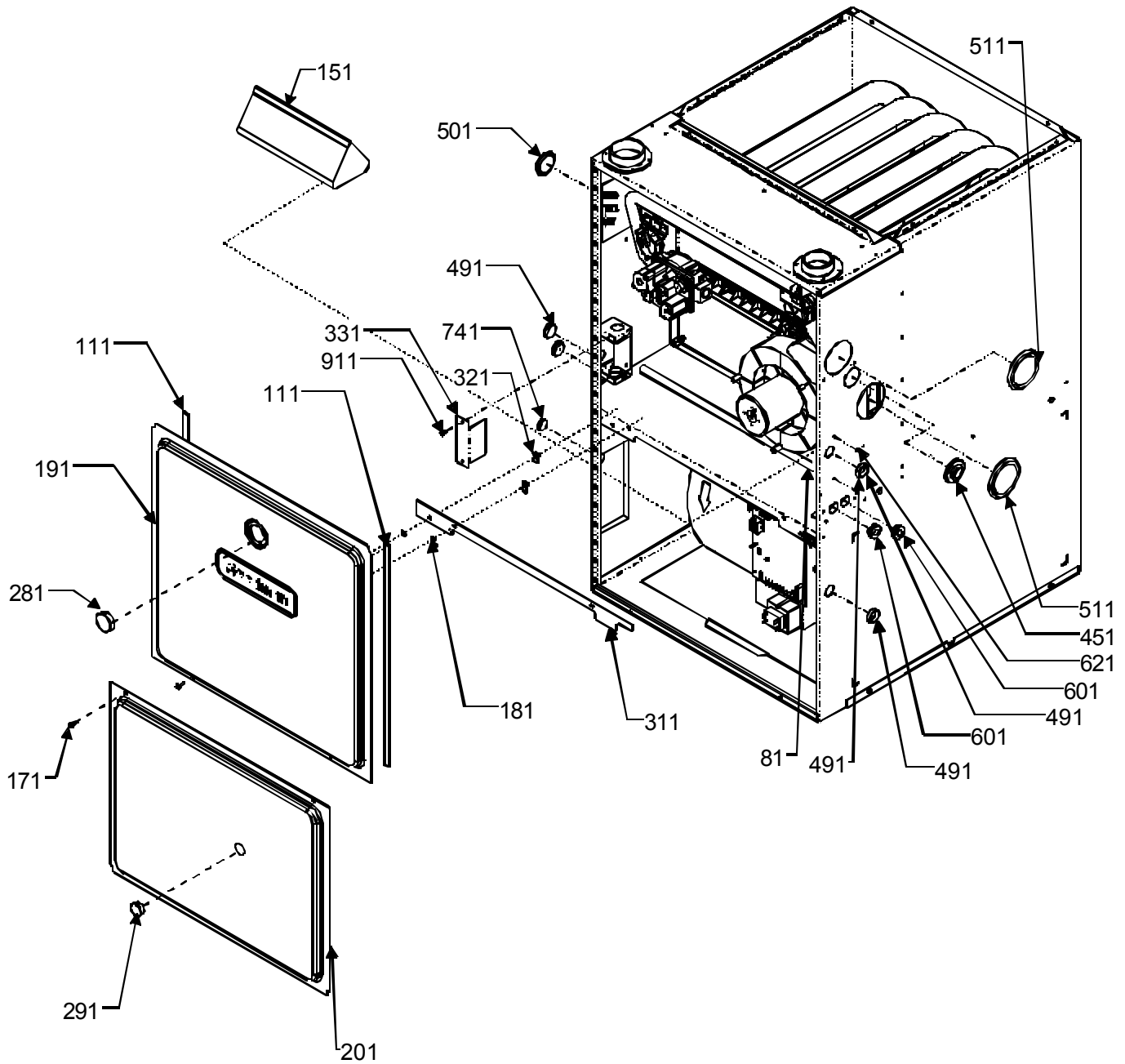
Functional Parts

Part

No: Description:

10735102	BECKETT BURNER (QTY AR)
B1368047	BLOWER WHEEL (M1, M2)
20245903	BLOWER-ID
B1809927	BOARD, HSI, 2-STAGE
20275905	HARNESS-WIRING (M1, M2, M3)
20276015	HARNESS-WIRING
B1410319	HOSE-PRESS SW FUR (M1, M4)
B1410309	HOSE-PRESSURE SW (M2, M3)
B1410312	HOSE-PRESSURE SW (M1, M4)
B1410316	HOSE-PRESSURE SW (M2, M3)
11185811	HSG WELD-11X10 (M3, M4)
11185818	HSG WELD-BLWR (M1, M2)
20494517	HT EX ASSY 3B (M1)
20494518	HT EX ASSY 4B (M3)
20494515	HT EX ASSY 4B (M2)
20494516	HT EX ASSY 5B (M4)
20165702	IGNITOR (M4)
20165703	IGNITOR (M1, M2, M3)
20162903	LIMIT (M4)
20162907	LIMIT (M2)
20162905	LIMIT (M1, M3)
10123536	LIMIT-RESET (M3)
10123537	LIMIT-RESET (M3)
10123537	LIMIT-RESET (M1, M2)
10123534	LIMIT-RESET MAN (M1, M2)
10123533	LIMIT-RESET MAN (M4)
10123533	LIMIT-RESET MAN (M4)
20196404	MANIFOLD (M4)
20196403	MANIFOLD (M1, M2, M3)
20257810	MOTOR BLWR-EC 3/4 (M1, M2)
20510314	MOTOR-1 HP (M3)
20510315	MOTOR-1 HP (M4)
10716003	ORIFICE (M1, M2, M3)
20194018	RECUPE COIL ASSY UF (M1)
20194031	RECUPE COIL ASSY UF (M4)
20194020	RECUPE COIL-ASSY UF (M3)
20194030	RECUPE COIL-ASSY UF (M2)
20488501	SENSOR-FLAME
10690402	SWITCH-INTERLOCK
11177114	SWITCH-PRESSURE (M1, M3, M4)
11177113	SWITCH-PRESSURE (M2)
20197308	SWITCH-PRESSURE (M2, M3, M4)
B1141605	TRANSFORMER, 120V
C6476909	VALVE-GAS
D6723311	WHEEL-BLOWER (M3, M4)
11118705	WIRING HARNESS (M4)
11118705	WIRING HARNESS (M1, M2, M3)

Cabinet



Cabinet

Ref. Part No:	Part No:	Description:	Ref. Part No:	Part No:	Description:
---------------	----------	--------------	---------------	----------	--------------

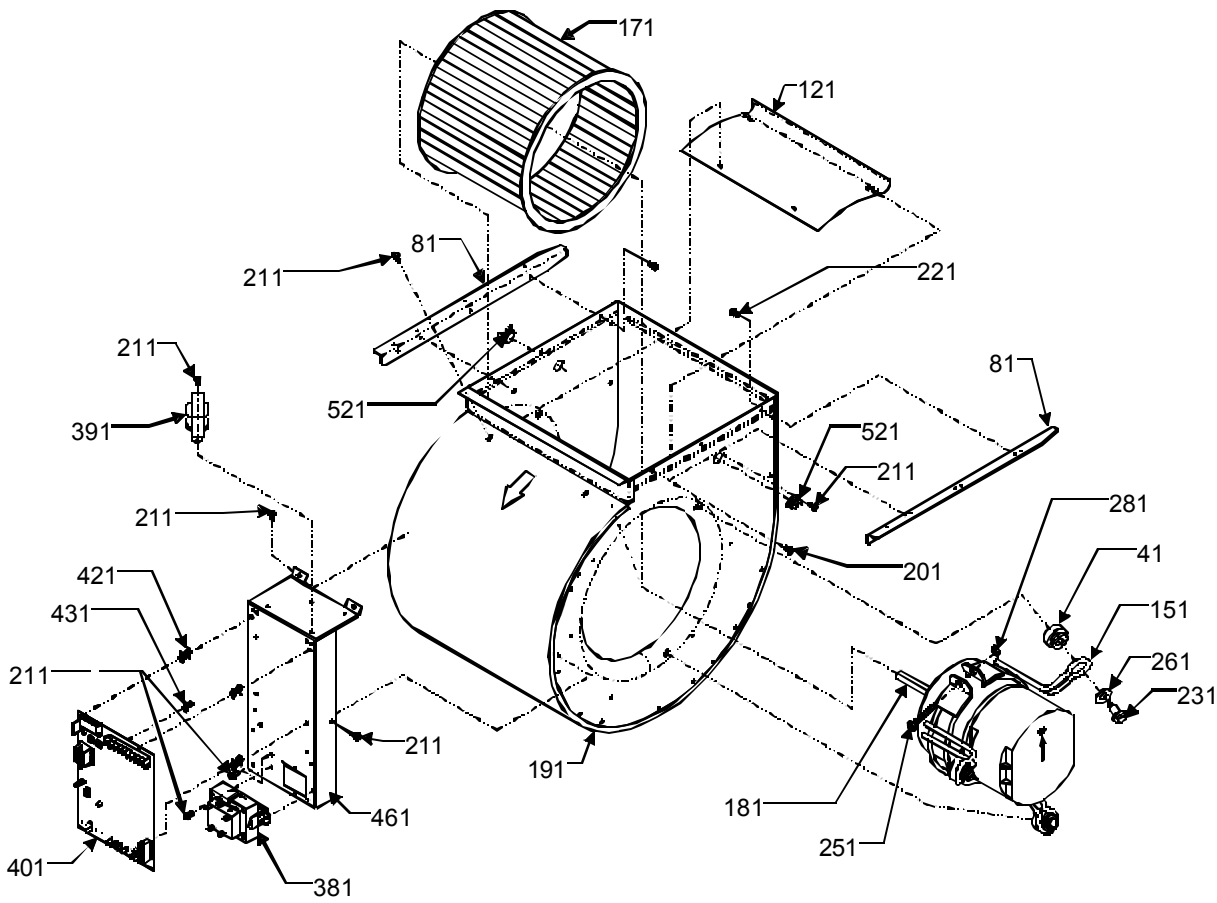
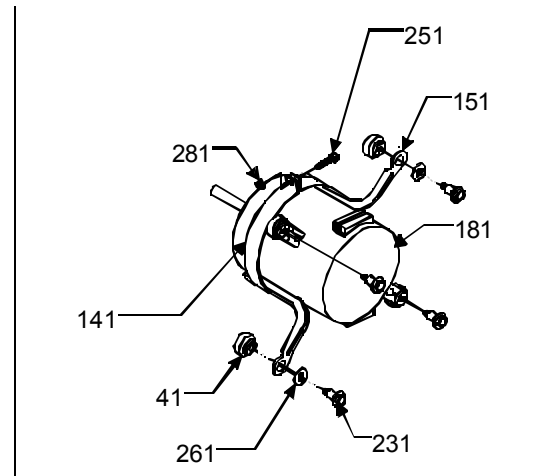
Image 1:

81	20201902	HOSE-DRAIN
111	20179308	GASKET (QTY 2)
151	10195517	STNDPIPE BAG ASSY
171	M0204317	SCREW-MACH (QTY 4)
181	M0273904	RETAINER-SCREW (QTY 4)
191	20523904	DOOR-ACCESS PNT (M1, M2)
191	20523906	DOOR-ACCESS PNT (M3, M4)
201	20524004	DOOR-BLOWER PNT (M1, M2)
201	20524006	DOOR-BLOWER PNT (M3, M4)
281	B1392139	VIEW PORT BUSHING
291	11104002	SNAP-BUSHING CLR
311	20339303	GASKET-DECK (M3, M4)
311	20339305	GASKET-DECK (M1, M2)
321	91000301	NUT-U SPEED (QTY 4)
331	10736201	COVER-HV BOX
451	M0501301	GROMMET-PIPE
491	M0570808	PLUG-BUTTON (QTY 4)
501	M0570806	PLUG-BUTTON
511	M0570807	PLUG-BUTTON (QTY 2)
601	A4691701	GROMMET (QTY 2)
621	M0310345	BUTTON-PLUG (QTY 2)
741	M0571002	BUSHING-SNAP (QTY 2)
911	M0216529	SCREW-SM (QTY 2)

Expanded Model Nomenclature

M1 - GMV90905DXA	P1257605F
M2 - GMV91155DXA	P1257606F
M3 - GMV90704CXA	P1257603F
M4 - GMV90904CXA	P1257604F

Blower Assembly



Blower Assembly

Ref. Part No:	Part No:	Description:	Ref. Part No:	Part No:	Description:
---------------	----------	--------------	---------------	----------	--------------

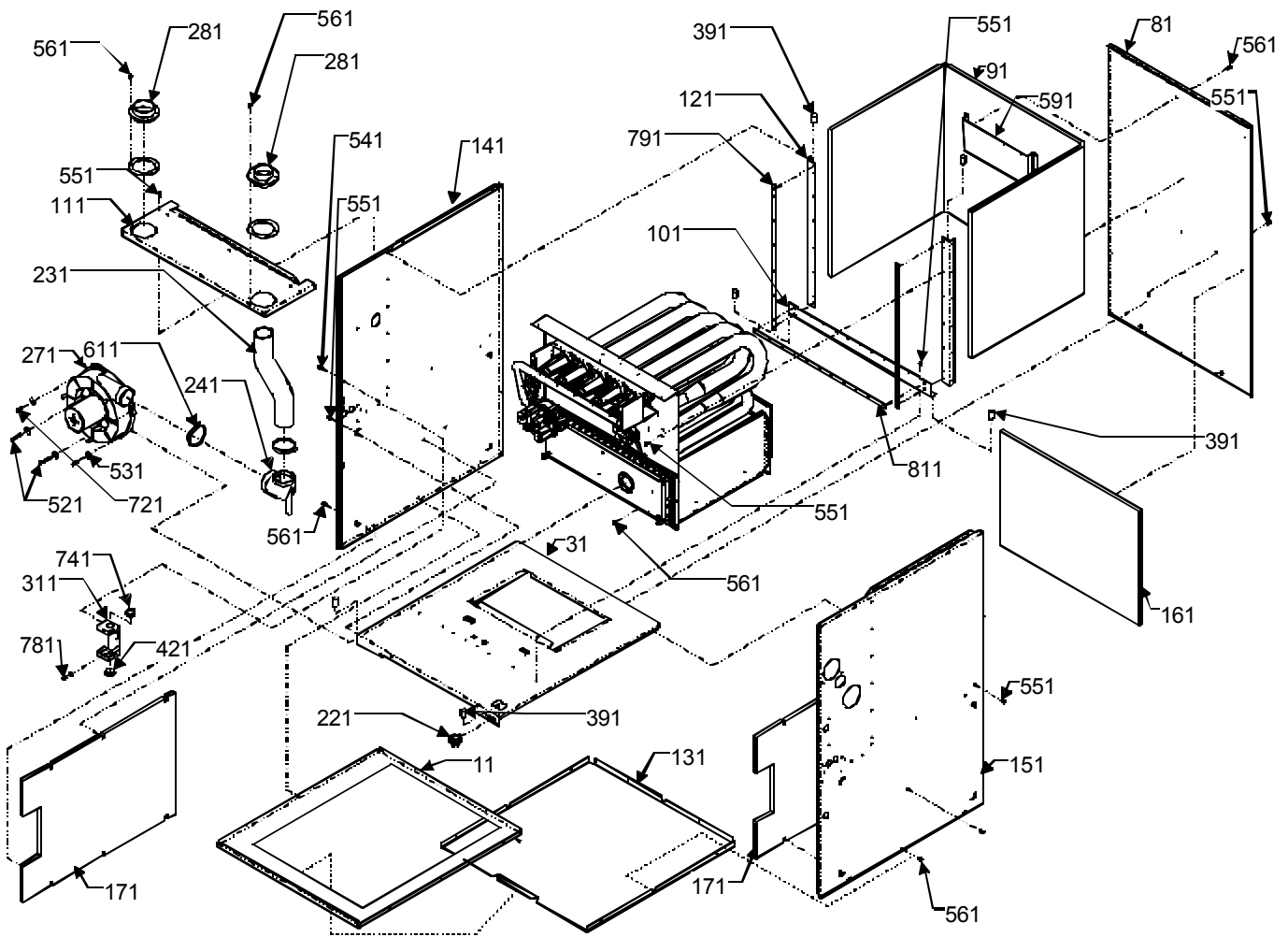
Image 1:

41	A4002701	GROMMET (M3, M4)
41	A4002702	GROMMET (M1, M2)
81	20175101	RAIL-BLWR SIDE (QTY 2)
121	C6121807	CUTOFF
141	10441601	BAND-MTR MOUNT (M3, M4)
151	10441501	ARM-MTR MOUNT (M3, M4)
151	C9443702	BRKT-MOTOR MT (M1, M2)
171	B1368047	BLOWER WHEEL (M1, M2)
171	D6723311	WHEEL-BLOWER (M3, M4)
181	20257810	MOTOR BLWR-EC 3/4 (M1, M2)
181	20510314	MOTOR-1 HP (M3)
181	20510315	MOTOR-1 HP (M4)
191	11185811	HSG WELD-11X10 (M3, M4)
191	11185818	HSG WELD-BLWR (M1, M2)
201	M0211020	SCREW-SM #8-7/8 (QTY 2)
211	M0219916	SCREW-SM (QTY 13)
221	M0253516	SCREW-TR (QTY 6)
231	M0221461	SCREW-TC (QTY 3)
251	M0267144	SCREW-MACH
261	M0274008	WASHER-FLAT (QTY 3)
281	M0282015	NUT-KEPS
381	B1141605	TRANSFORMER, 120V
391	20218901	COIL-INDUCTOR (M1, M2, M4)
401	B1809927	BOARD, HSI, 2-STAGE
421	B1393802	SUPPORT, 2-WING BOA (QTY 4)
431	B1393803	SUPPORT, SINGLE-WIN
461	10746206	BRACKET-CONT
521	10123536	LIMIT-RESET (M3)
521	10123537	LIMIT-RESET (M1, M2)
521	10123533	LIMIT-RESET MAN (M4)
NS	M0321202	TIE-ELEC LG (M4)

Expanded Model Nomenclature

M1 - GMV90905DXA	P1257605F
M2 - GMV91155DXA	P1257606F
M3 - GMV90704CXA	P1257603F
M4 - GMV90904CXA	P1257604F

Chassis



Chassis

Ref. Part No:	Part No:	Description:	Ref. Part No:	Part No:	Description:
---------------	----------	--------------	---------------	----------	--------------

Image 1:

11	20273409	BASEPAN-UPFLOW PNT (M1, M2)
11	20273411	BASEPAN-UPFLOW PNT (M3, M4)
31	20190218	DECK-BLWR UF FUR (M3, M4)
31	20190232	DECK-BLWR UF FUR (M1, M2)
81	20273210	PANEL-BACK UF PNT (M1, M2)
81	20273212	PANEL-BACK UF-PNT (M3, M4)
91	C6415909	INSUL-HT EX (M3, M4)
91	C6415911	INSUL-HT EX (M1, M2)
101	20191303	RAIL-DECK (M3, M4)
101	20191305	RAIL-DECK (M1, M2)
111	20194520	COVER ASSY (M1, M2)
111	20194521	COVER ASSY (M3, M4)
121	20191603	RAIL-SIDE (M1, M2)
121	20191604	RAIL-SIDE (M3, M4)
131	20523802	PLATE-FILLER (M1, M2)
131	20523803	PLATE-FILLER (M3, M4)
141	20193408	PANEL-SIDE LH UF PN
151	20193308	PANEL-SIDE RH UF PN
161	20006602	INSULATION (M1, M2)
161	20006603	INSULATION (M3, M4)
171	20243503	INSULATION-SIDE (QTY 2)
221	10690402	SWITCH-INTERLOCK
231	20190503	PIPE-FLUE UF
241	20171801	ELBOW
271	20245903	BLOWER-ID
281	20049701	COUPLING-FA (QTY 2)
311	10736102	BOX-HIGH VOLT FUR
391	M0275521	SEALER-PLASTIC
421	A4554801	BUSHING-SNAP
521	M0218154	SCREW-SM (QTY 2)
531	M0270544	WASHER-FLAT (QTY 4)
541	M0216716	SCREW-SM (QTY 2)
551	M0219916	SCREW-SM (QTY AR)
561	M0219918	SCREW-SM #8-5/8 (QTY AR)
591	11165107	SHIELD ID BLWR
611	A3326008	CLAMP-HOSE (QTY 2)
721	M0218153	SCREW-SM (QTY 2)
741	M0571002	BUSHING-SNAP (QTY 2)
781	M0227803	SCREW-TC
791	20194604	GASKET (QTY 2)
811	20194602	GASKET (M1, M2)
811	20194603	GASKET (M3, M4)
NS	20215702S	GSKT-CVR/ID BLWR (QTY 2)
NS	20215701S	GSKT-FA FITTING (QTY 2)

Expanded Model Nomenclature

M1 - GMV90905DXA	P1257605F
M2 - GMV91155DXA	P1257606F
M3 - GMV90704CXA	P1257603F
M4 - GMV90904CXA	P1257604F

